



Securifor® Defender

Installation Manual

Content

- **1. The components of the fencing system**
 - Posts
 - Cover Plates
 - Securifor® panels

- **2. Installation of the Securifor® Defender fence system**
 - Preparation and installation of the foundations
 - Posts installation
 - Front panel installation
 - Inner panels installation
 - Rear panel installation
 - Angles

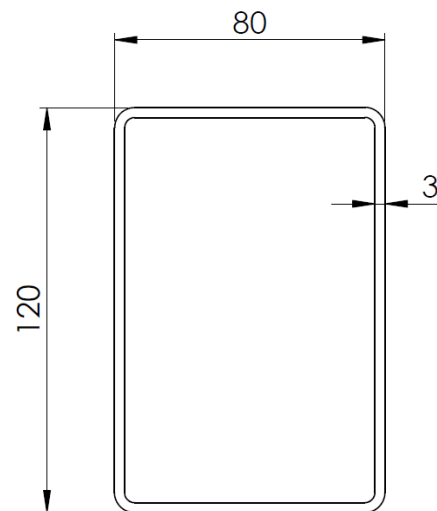
- **3. Securifor® Defender supports**

1. The components of the fencing system

■ 1.1 The posts:

Standard Profile:

— 120 x 80 x 3 mm



→ The section of the post depends on the height of the fence, or can be made to special requirements of the customer

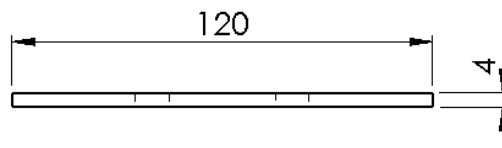
Types:

- The posts are foreseen of the appropriate inserts, front and back of the post
- Posts are standard without base plate. Posts with base plates are available on request

1. The components of the fencing system

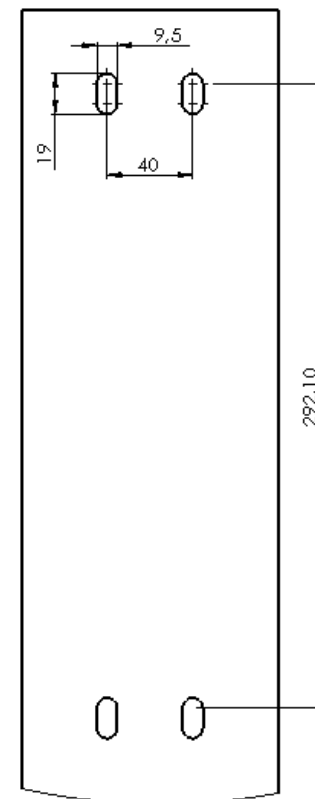
■ 1.2 The cover plates:

— 120 x 4 mm

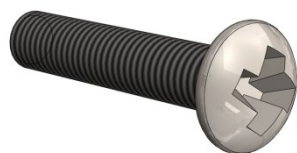


— Hole pattern => slotholes every 292,1 mm

— Height of the cover plates is 3000 and 2000 mm
(for a system height of 3M)



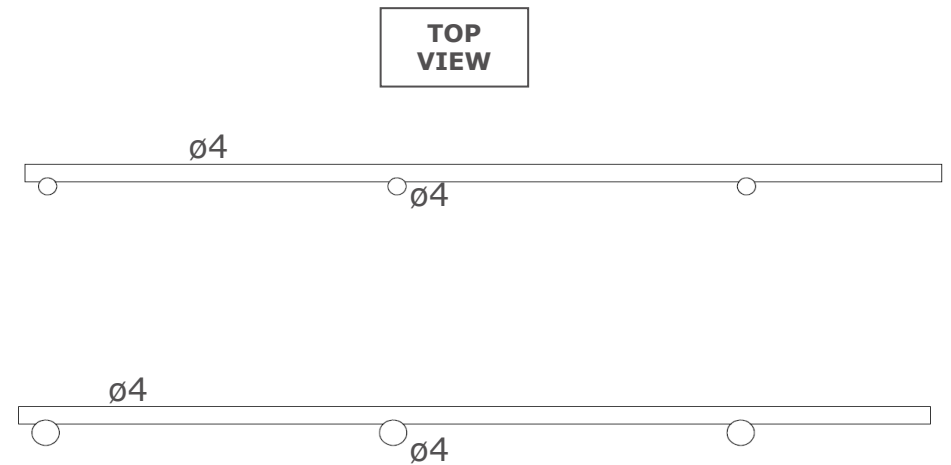
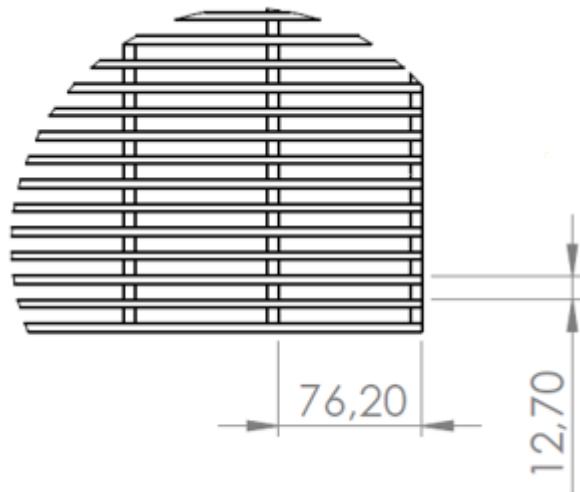
— Cover plates are fixed with washers M8 and one-way cross recess button head screws M8x40, all delivered in stainless steel execution.



1. The components of the fencing system

■ 1.3 The Securifor® panels:

- Securifor® Flat Front panel
3300x2500 mesh 12,7x76,4
- Securifor® Flat back panel
2000x2500 mesh 12,7x76,4
- Securifor® Flat inner panel
1985x120 mesh 12,7x76,4



2. Installation of Securifor® Defender posts and panels

■ Preparation and installation of foundations:

— Preparation of the site:

- To obtain the best results, it is recommended to clear (remove trees, branches, rocks, stones...) and level the area of the fence line over its full length

— Recommended Foundation dimensions:

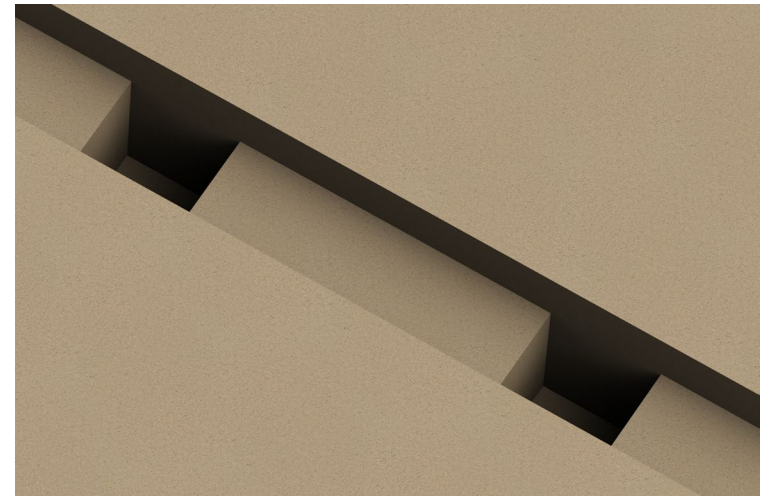
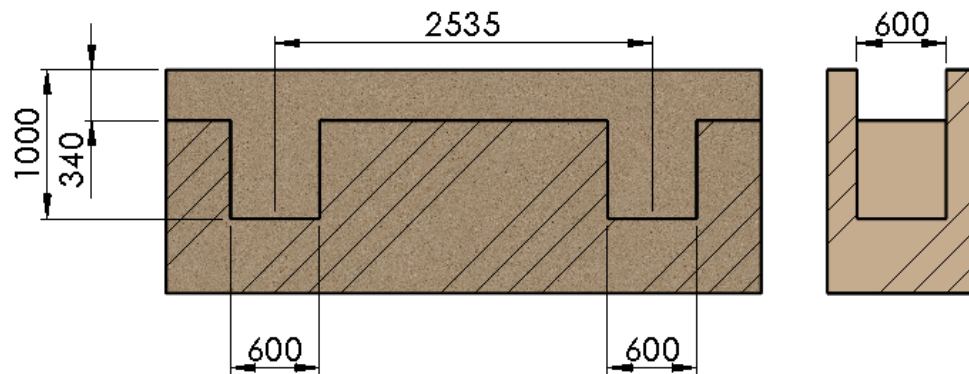
| Fence Height (m) | Post section (mm) | Post length (m) | Foundation dimensions (mm) |
|------------------|-------------------|-----------------|----------------------------|
| 3m | 120x80x3 | 4000 | 600x600x1000 |

- Foundation dimensions are for normal situations. You are advised to consult a specialist structural engineer to evaluate extraordinary wind load, local ground condition or any other special requirements. The dimensions of the foundation (concrete quality B30 is recommended) are related to the chosen height of the fence and/or the post.
- When posts are installed directly into concrete, the long posts need to be supported during curing of the concrete for as long as necessary.

2. Installation of Securifor® Defender posts and panels

■ Install foundations:

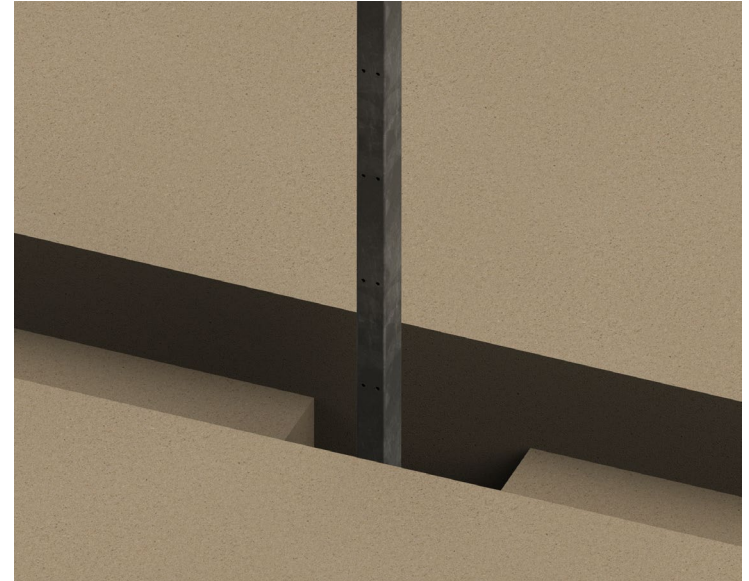
- Tension a wire over the complete length of the installation, to make sure the posts are installed in a straight line
- Measure the distance between the holes, for the correct inter distance see separate drawing
- Dig a hole with the right depth (average 1000mm)
- Make a trench along the entire length so that you can bury the front panel



2. Installation of Securifor® Defender posts and panels

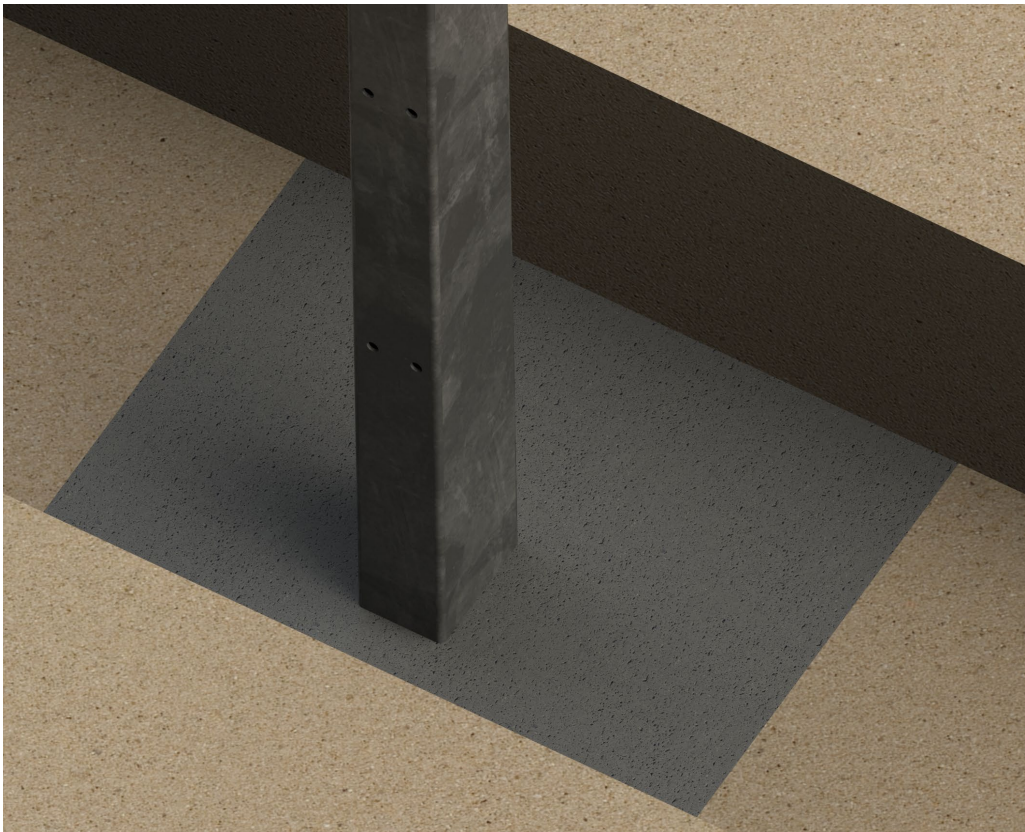
■ Install posts:

- Lift up the post and bring the post into the foundation hole
- Position the posts at the correct distance. If possible, use a wooden template to have a perfect installation
- Level & align the post so that you obtain a correct horizontal line of the fence
- A laser can also be used to determine the correct height of the posts



2. Installation of Securifor® Defender posts and panels

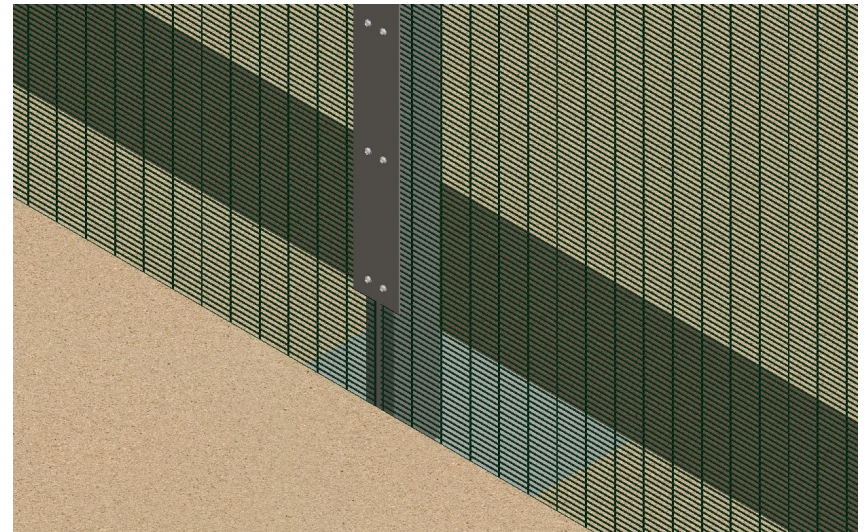
- **Install posts:**
 - Level the post vertically
 - Fill up the foundation hole with concrete up to the bottom of the trench.



2. Installation of Securifor® Defender posts and panels

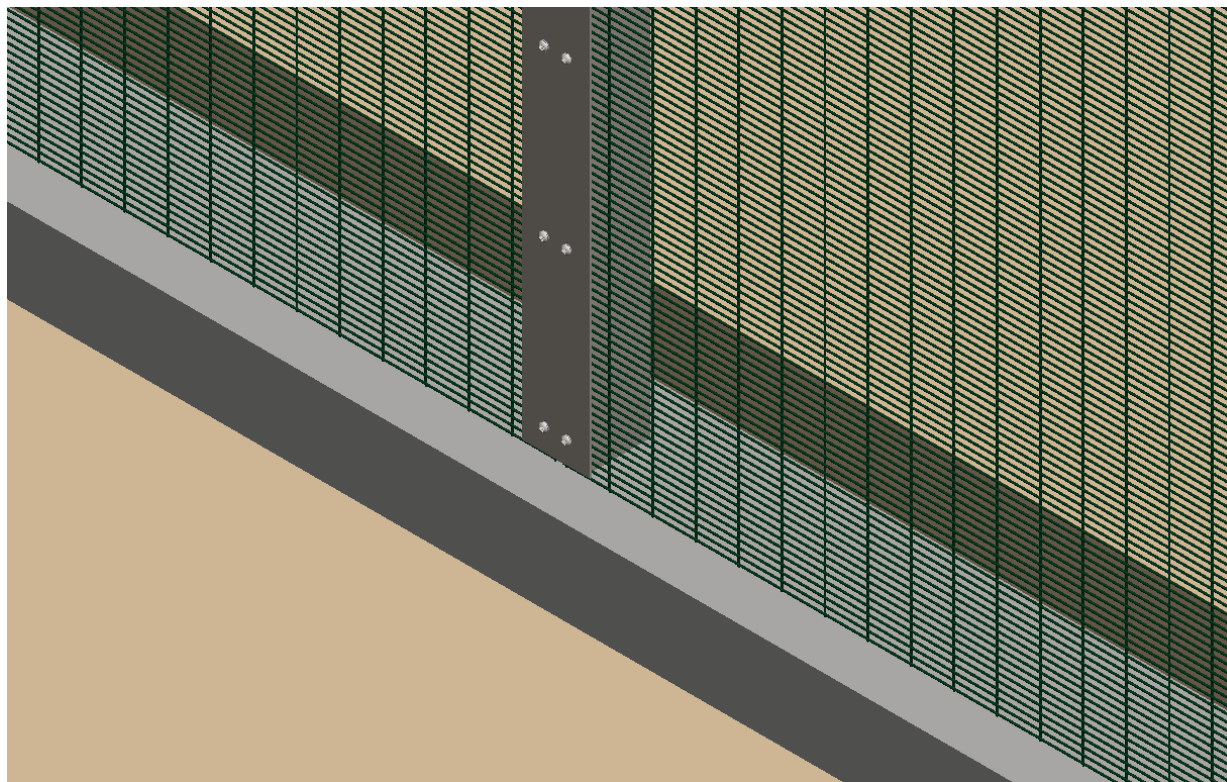
■ Install the front panel:

- Hang the front panel on the posts and attach this with 2 bolts.
- Now you can install the first cover plate (length 3000mm).
- Start at the bottom to put the bolts
- After installing the bottom 3x2 bolts, remove the bolts you placed in step 1.
- Install the rest of the bolts.



2. Installation of Securifor® Defender posts and panels

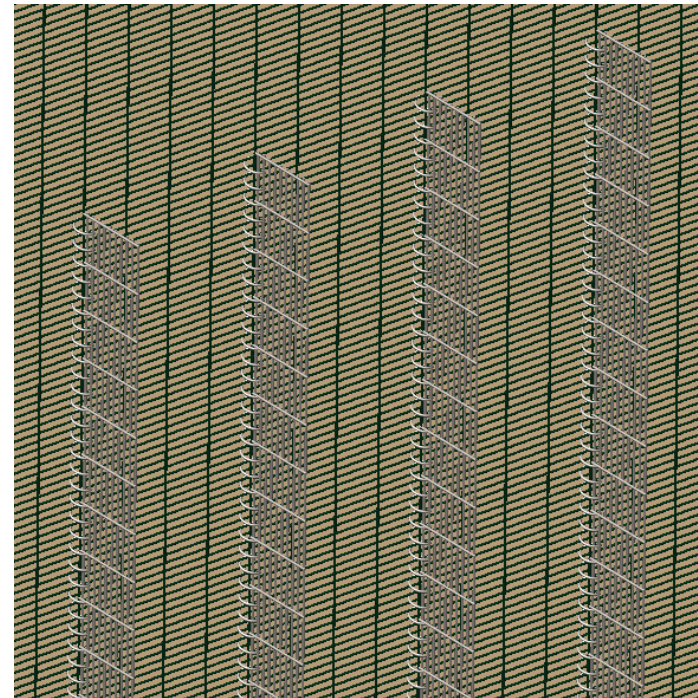
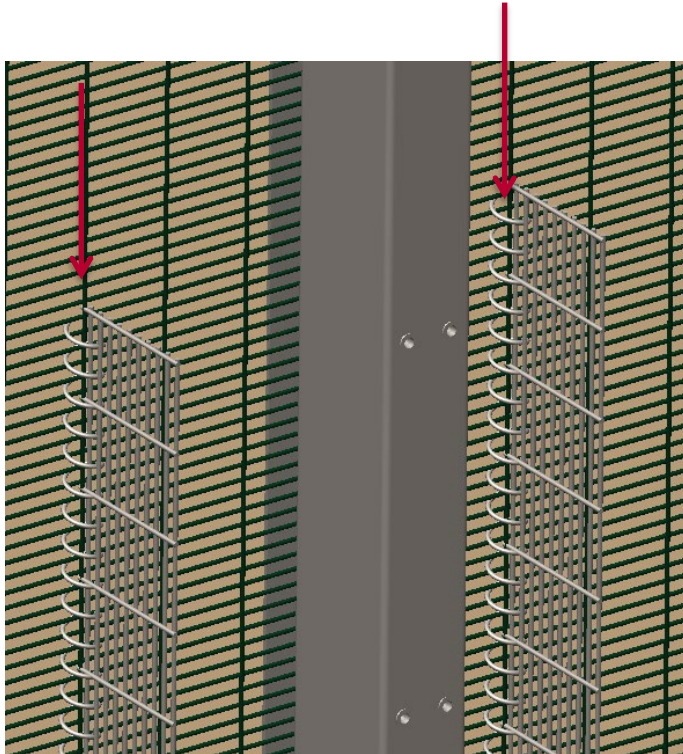
- **Close the trench:**
 - Once the front panel is installed you can close the trench with concrete.



2. Installation of Securifor® Defender posts and panels

■ Install inner panels:

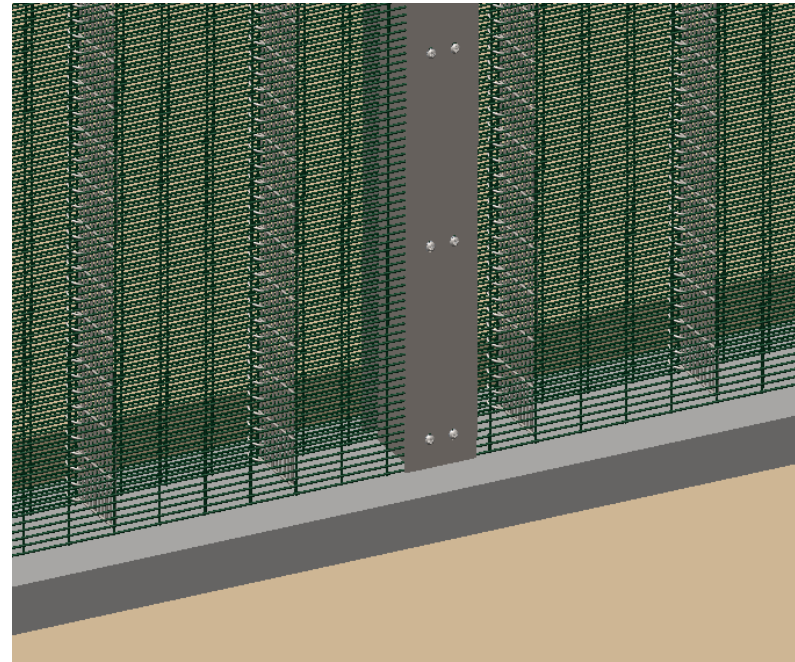
- Connect every vertical inner panel to the front panel by using a coil.
 - Work from top to bottom
 - 'Screw' the coil on the panel using the tool for a drilling machine
 - Insert the coil completely to the bottom of the front panel



2. Installation of Securifor® Defender posts and panels

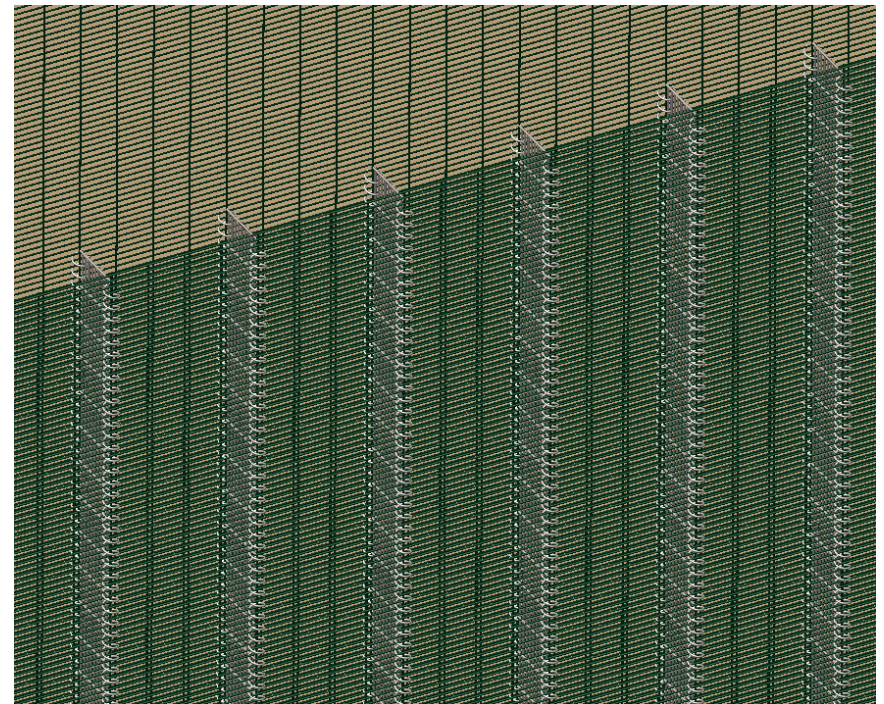
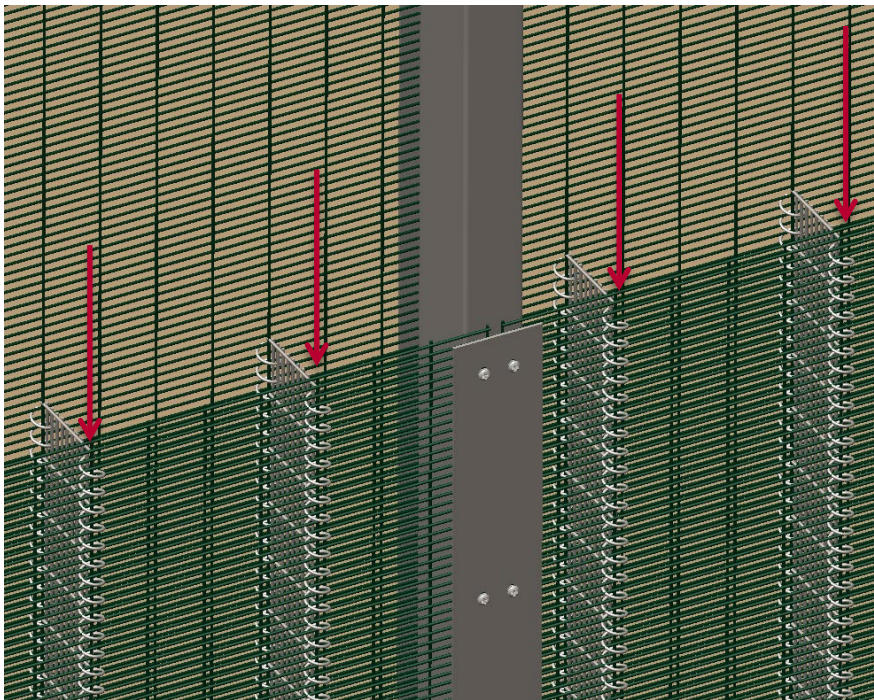
■ Install back panel:

- Hang the back panel on the posts and attach this with 2 bolts.
- Now you can install the cover plate (length 2000mm).
- Start at the bottom to put the bolts
- After installing the bottom 3x2 bolts, remove the bolts you placed in step 1.
- Install the rest of the bolts.



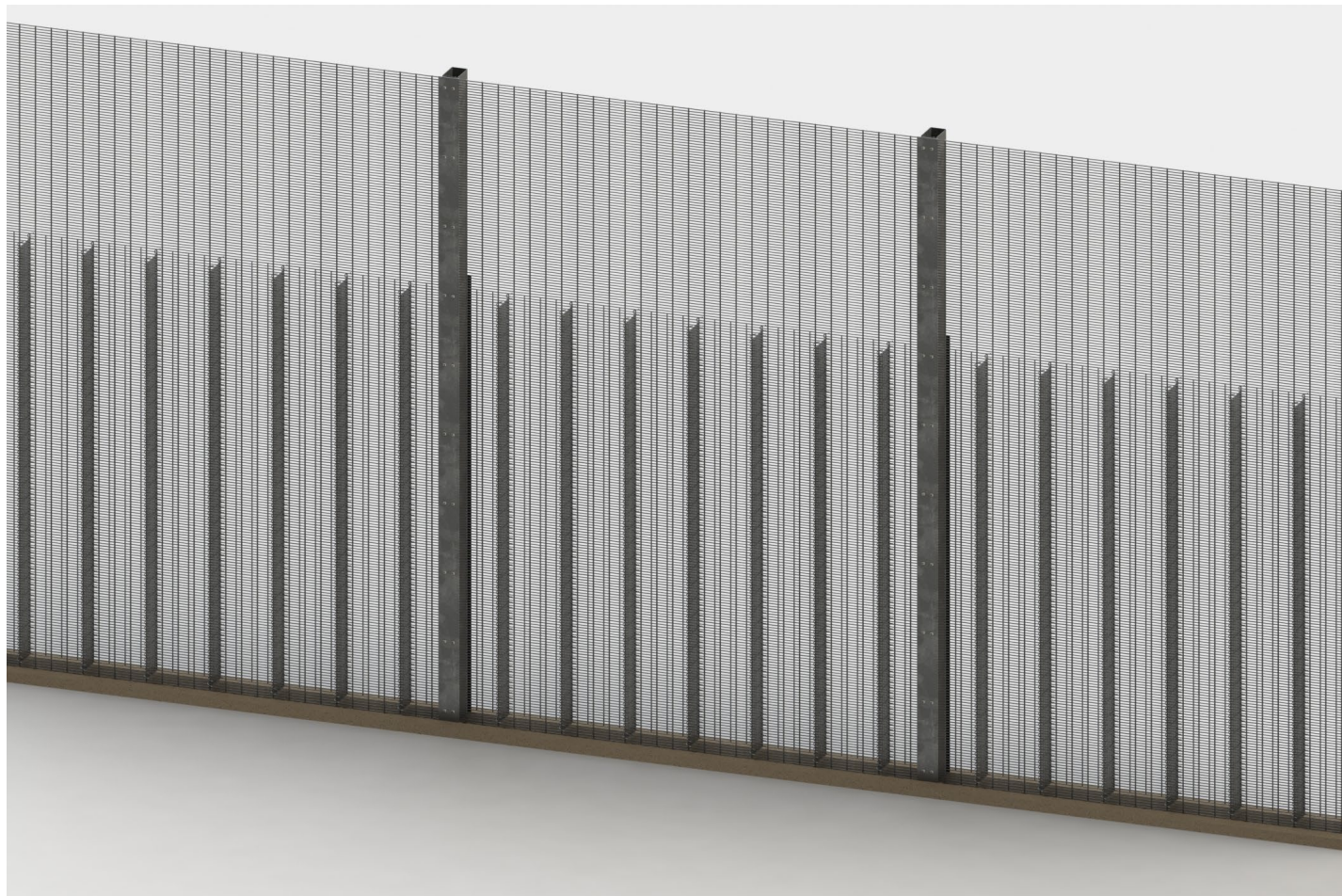
2. Installation of Securifor® Defender posts and panels

- **Install inner panels to back panel:**
 - Connect every vertical inner panel to the back panel by using a coil.
 - Work from top to bottom
 - 'Screw' the coil on the panel using the tool for a drilling machine
 - Insert the coil completely to the bottom of the back panel



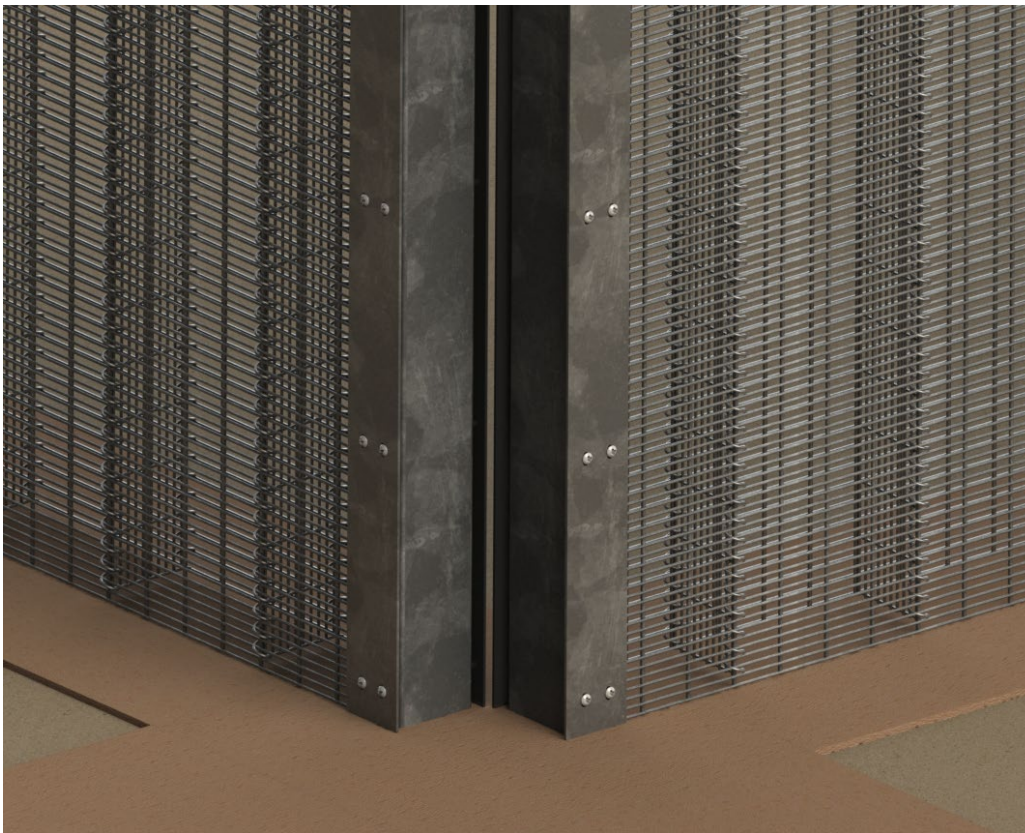
2. Installation of Securifor® Defender posts and panels

- **Final check:**
 - Check if all the bolts are well tightened.



2. Installation of Securifor® Defender posts and panels

- **corners:**
 - Corners are always made with 2 posts.



3. Installation Support

- **Installation support:**

- Installation support by Betafence Engineers is always possible on consultancy basis.
- Specific terms and conditions apply
- Please contact us to obtain further information

IB BETAFENCE
a PRÆSIDIAD brand