



O-LOX

Installation manual

0. Content

1. Components of the fencing system

1. The posts
2. The panels
3. The cover plates
4. The corner clamps

2. Installation of O-LOX

1. Foundations
2. Install posts
3. Install panels
4. Special cases

3. Maintenance

1. Components of the fencing system

1. The posts
2. The panels
3. The cover plates
4. The corner clamps

2. Installation of O-LOX

1. Foundations
2. Install posts
3. Install panels
4. Special cases

3. Maintenance

1. Components of the fencing system

1.1 The posts

- The section of the O-LOX post is 60x40x1,5mm or 60x40x2mm, depending on the height of the fence
- The posts are foreseen of holes every 200/400mm. PA clamps to support the panels are fixed to the posts with inserts M8
- Posts can be covered with a post cap with or without overhang
- Posts can be installed in concrete or on floor plates (welded to the posts)



1. Components of the fencing system

1.2 The panels

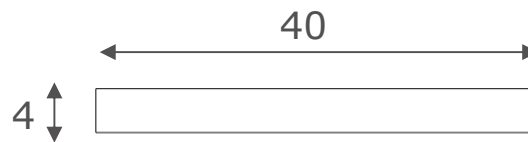
- O-LOX posts can be installed with Nylofor 2D and Nylofor 2D Super panels. This is the standard range of posts & panels:

Height of the fence	Post profile (mm)	Length of the posts concrete (mm)	# inserts
630	60x40x1,5	1000	3
830	60x40x1,5	1300	4
1030	60x40x1,5	1500	4
1230	60x40x1,5	1700	5
1430	60x40x1,5	2000	5
1630	60x40x1,5	2200	6
1830	60x40x2	2400	6
2030	60x40x2	2600	7
2230	60x40x2	2800	7
2430	60x40x2	3000	8

1. Components of the fencing system

1.3 The cover plates (option 1)

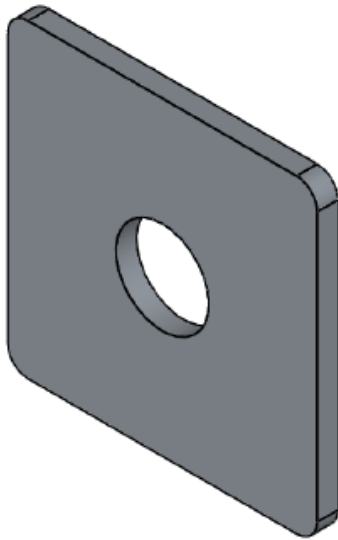
- O-LOX posts are installed with steel flat cover plates 40x4mm
 - The cover plates are fixed with Hexagon Socket Button Head screws (ISO7380) M8x40, in stainless steel



1. Components of the fencing system

1.3 The cover plates (option 2)

- O-LOX posts can also be installed with stainless steel fixing plates 30x30 mm M8
 - The stainless steel fixing plates are fixed with Hexagon Socket Button Head screws (ISO7380) M8x40, in stainless steel



1. Components of the fencing system

1.3 The cover plates (option 3)

- O-LOX posts can also be installed with butterfly fixators
 - The butterfly fixators are fixed with Hexagon Socket Button Head screws (ISO7380) M8x40, in stainless steel



1. Components of the fencing system

1.4 The corner clamps

- In case of a corner, corner clamps are used
 - The corner clamps are fixed with Mushroom Head Square Neck bolts (DIN603) M8x25, in stainless steel



1. Components of the fencing system

1. The posts
2. The panels
3. The cover plates
4. The corner clamps

2. Installation of O-LOX

1. Foundations
2. Install posts
3. Install panels
4. Special cases

3. Maintenance

2. Installation of O-LOX

2.1 Foundations

- To obtain the best result, it is recommended to level the ground over the whole length of the fence
- Align the fence line
- For correct positioning, maintain the centre-centre distance of 2520mm
- For end posts, the interdistance should be 2500mm
- To determine the dimensions of the foundations it is recommended to consult a specialized engineer to evaluate wind load and solar conditions and any other factors requiring specialist opinion (concrete quality directive B30)
- In case of instant installation the post needs to be supported as long as necessary

C-C 2520 +6/-6mm



2. Installation of O-LOX

2.2 Install posts

- Installation principle: when installing O-LOX, first all the posts can be placed and then the panels can be attached

ALIGNING THE POSTS

- Place a pin before the first post of the fence and another behind the last post. Connect those pins with two guide ropes
- The lower guide rope should be between 20 and 40 cm above the ground. Now align all inserts with the upper guide rope. The bottom of the panel should be around 50mm above ground level.

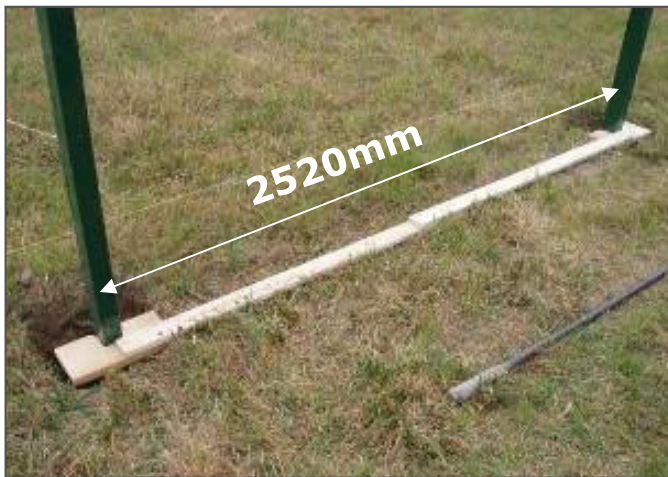


2. Installation of O-LOX

2.2 Install posts

PLACEMENT OF THE POSTS (USE A TEMPLATE)

- A template makes it much easier to place the posts correctly
- The template must be made by the installer and must have 2 recesses into which the posts fit perfectly
- Place the posts, correctly aligned (vertically and horizontally) and with the correct distance between them.
- Install the posts so that the clearance between panel and floor is 50mm
- While the post is installed, make sure no water can stay inside the post. If the ground is impermeable, provide a drain hole on site.



2. Installation of O-LOX

2.3 Installation of the panels

INSTALLING THE PANELS

- The first panel should be installed to the other side of the post
- Always put two panels on the clamps
- Use a cover plate or the fixing plates, to fasten the panel, first install a bolt at top and bottom
- When perfectly aligned, fix the other bolts



2. Installation of O-LOX

2.4 Special cases

INSTALLING CORNERS

- For corners, use two posts that are placed around 200mm outside the corner. Connect the panels with corner clamps.



2. Installation of O-LOX

2.4 Special cases

INSTALLING SLOPES

- Install the first panel
- Take a second panel and install it to the front of the post with the required height difference
- Fix both panels to the post with the cover plate or the fixing plates



3. Maintenance

- All Betafence panels and posts are maintenance free but it is recommended that the fence line would be checked every 4 months to make sure that all the connection screws are tightened and all the posts caps are in place. If screws or post caps are missing or broken those should be replaced or tightened immediately
- If there are visible scratches / damages on the coating, those should be re-sprayed immediately with a similar color paint
- If necessary the fence and posts can be washed with a light soap water and rinse afterwards with a **low water pressure**